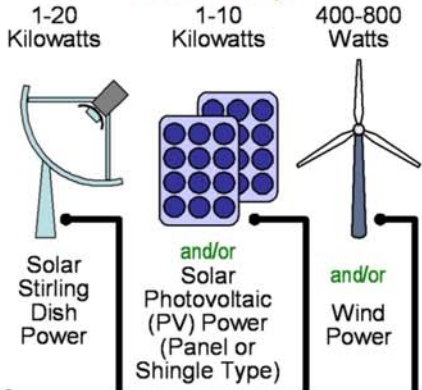
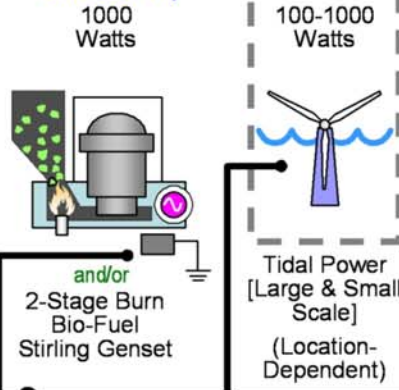


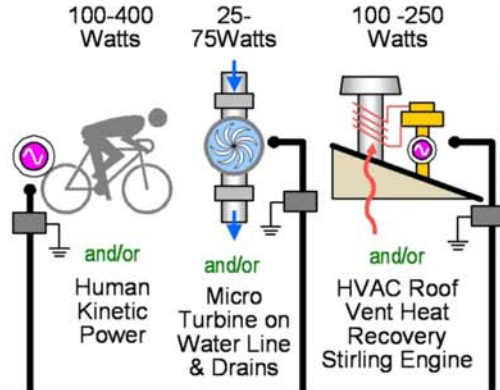
PRIMARY CLEAN ENERGY SOURCES (IN OR ON RESIDENTIAL PROPERTY)



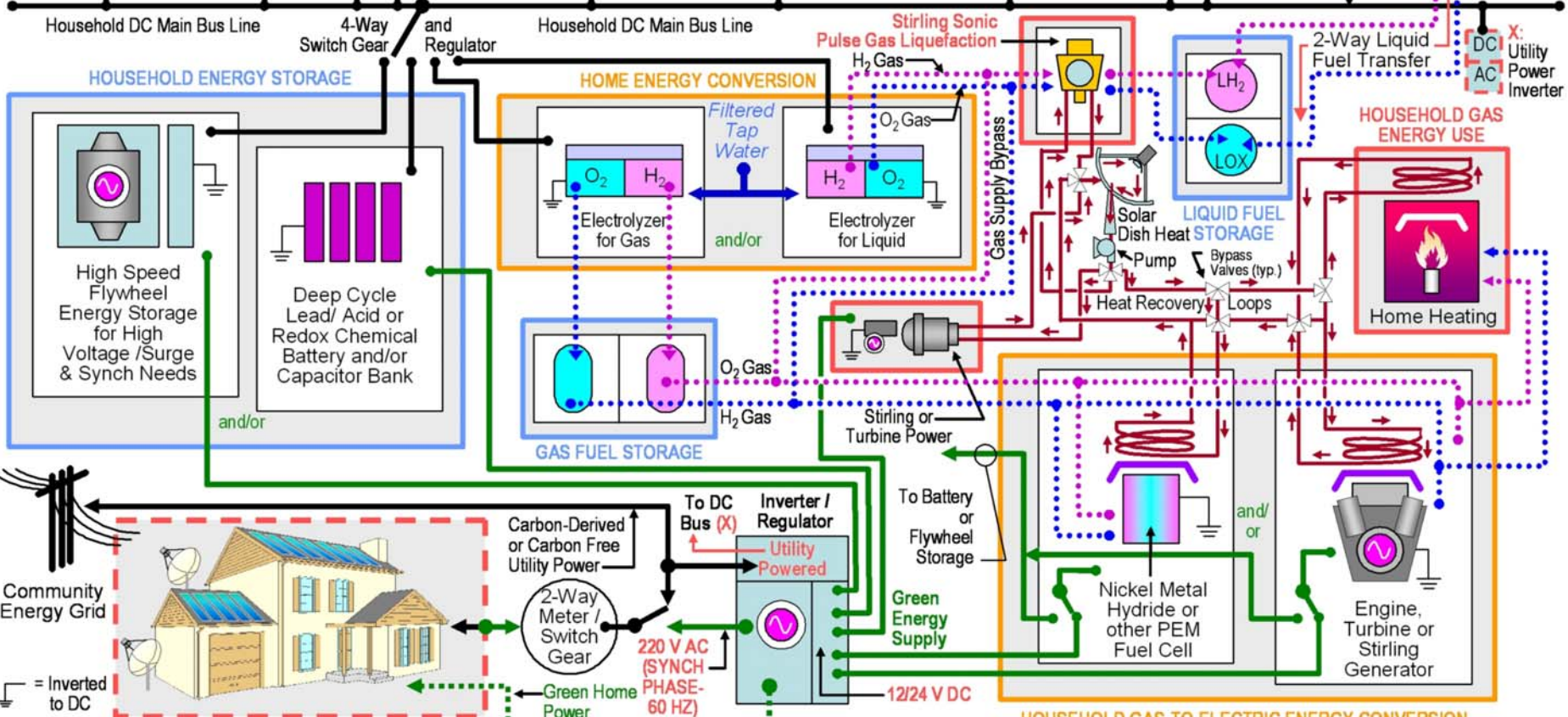
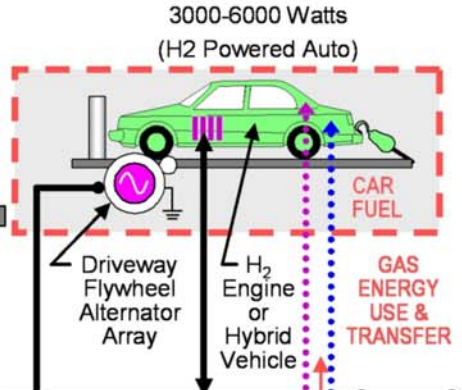
CARBON NEUTRAL ENERGY SOURCES (IN OR ON RESIDENTIAL PROPERTY)



SECONDARY CLEAN ENERGY SOURCES (IN OR ON RESIDENTIAL PROPERTY)



GAS ENERGY USE / TRANSFER & EMERGENCY GENERATION



ELECTRICAL & GAS ENERGY USE & TRANSFER (1-6 MWH PER MONTH)

21ST CENTURY URBAN HOME GREEN ENERGY SCHEMATIC